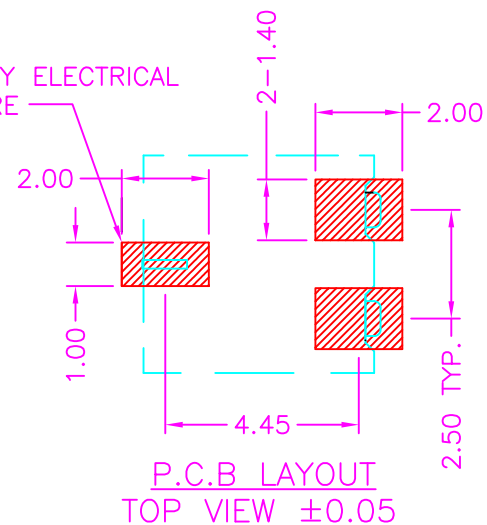


FIXING PIN, NO ANY ELECTRICAL PERFORMANCE HERE



TABLE

P/N	A	B
A	4.30	2.40
B	4.90	3.00
C	5.40	3.50

MATERIALS

HOUSING: HI-TEMP. PLASTIC (UL 94V-0), BLACK
 PAD: COPPER ALLOY, TIN PLATED
 TERMINAL: COPPER ALLOY, GOLD PLATED

SPECIFICATION

CURRENT RATING: 2 AMP MAX
 DIELECTRIC WITHSTANDING: 500V AC FOR ONE MINUTE
 CONTACT RESISTANCE: 50m OHMS MAX
 INSULATION RESISTANCE: 1000M OHMS MIN AT DC 500V
 OPERATION TEMPERATURE: -40°C~+85°C

PART NUMBER:

ABTGH - 0 2 * - 1 2 1 *

SERIES

NO. OF POS.

HEIGHT OPTION
REF. TABLE

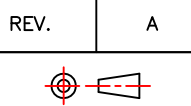
TAPE REEL PACKAGE

TERMINAL PLATED OPTION

- 1: GOLD FLASH
- 3: 3u" GOLD
- 5: 5u" GOLD
- 6: 10u" GOLD
- 7: 15u" GOLD
- 9: 30u" GOLD



TOLERANCES	
X.±0.40	.XX±0.20
.X±0.30	.XXX±0.10



REV. A
 DRAWN BY Zhong 2019/4/29
 APPROVED BY Lion 2019/4/29

TITLE: BATTERY, 2.50mm PITCH, PCB MOUNT, VERTICAL SMT, WITH PAD
 DRAW NO. ABTGH-001
 UNIT
 MM
 Sheet
 1/1