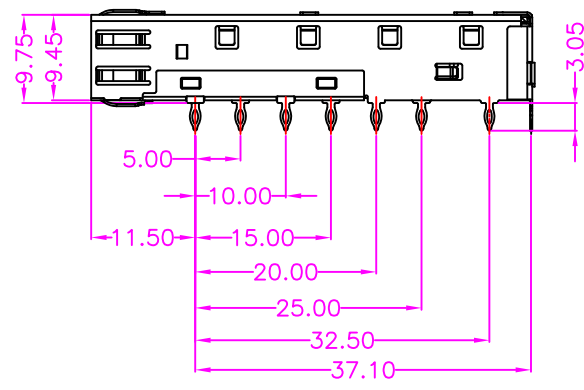
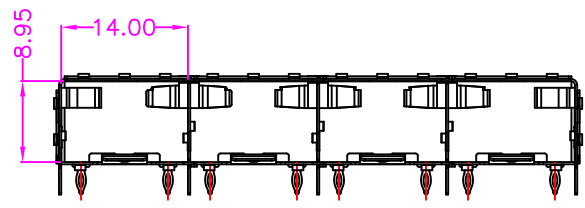
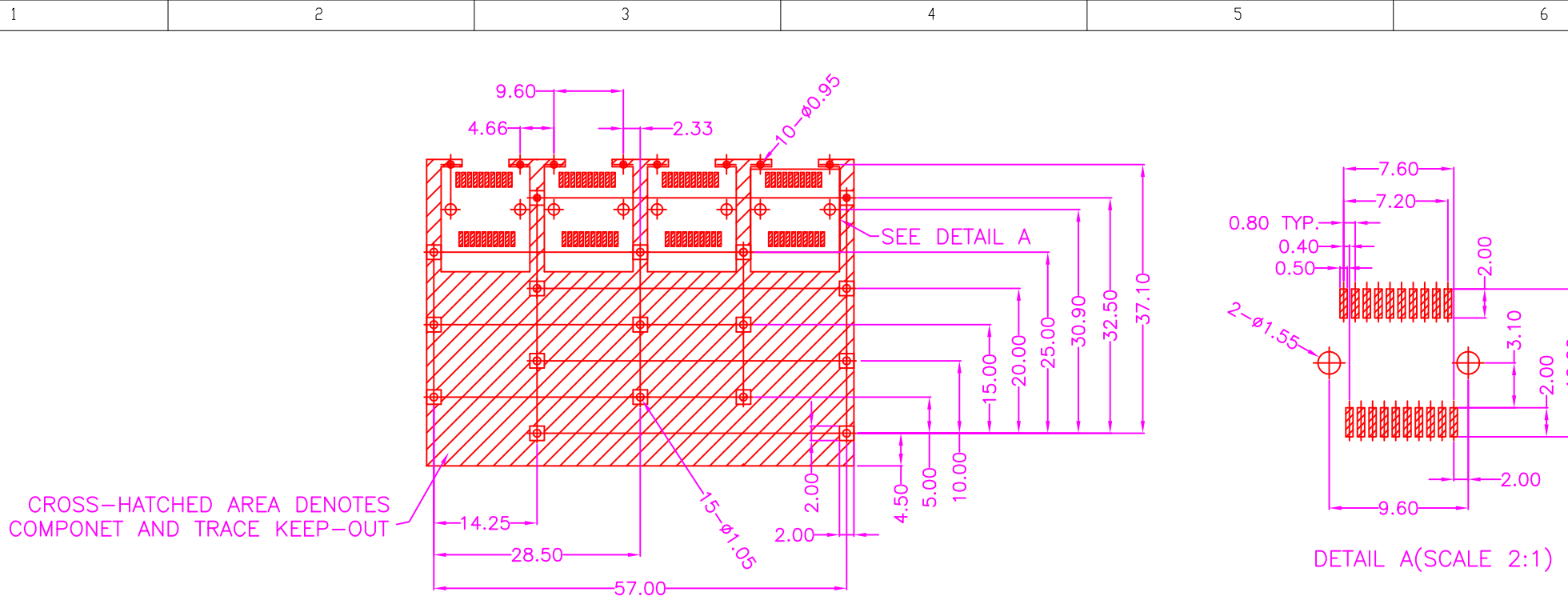


PART NUMBER:
F14AD - 0 C - 1 1
 SERIES ——— TRAY PACKAGE

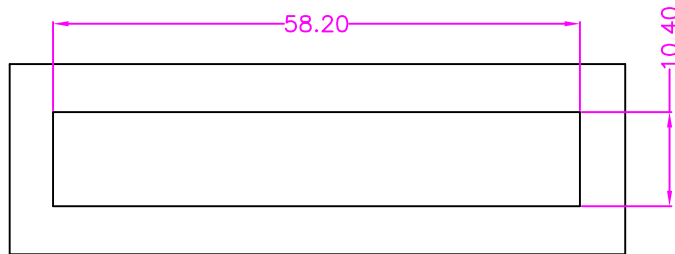
MATERIALS
 SHELL: COPPER ALLOY



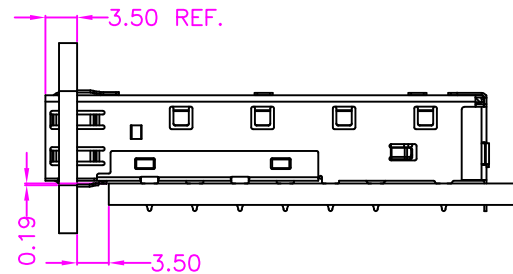


P.C.B. LAYOUT
TOP VIEW ± 0.05

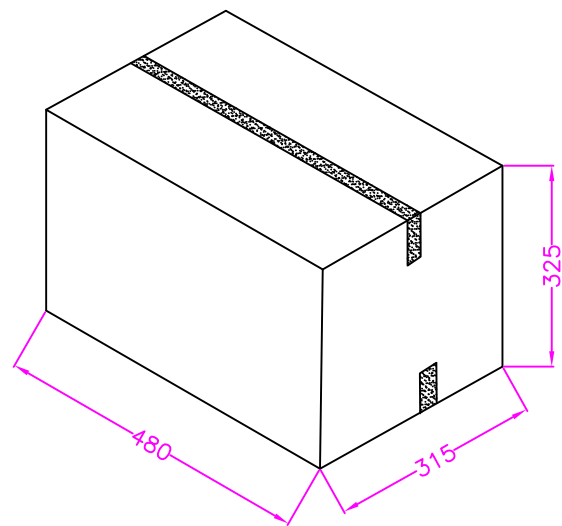
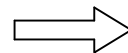
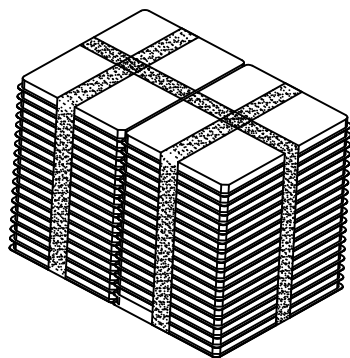
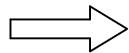
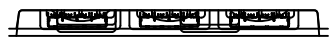
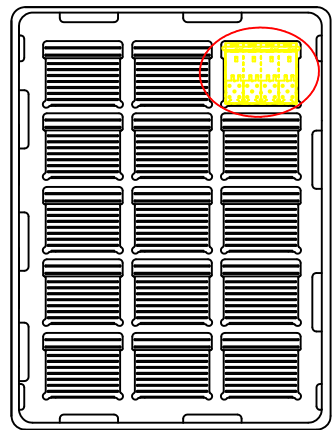
DETAIL A (SCALE 2:1)



BEZEL



BEZEL OPENING
BELOW TIP OF PCB



NOTE: 15PCS/TRAY, 450PCS/ 30TRAY/ CARTON

