

MATERIALS

HOUSING: HI-TEMP. PLASTIC (UL 94V-0), BLACK
 SOLDER TAB: COPPER ALLOY, TIN PLATING
 TERMINAL: COPPER ALLOY, GOLD PLATED ON CONTACT AREA
 TIN PLATING ON SOLDER TAIL

PART NUMBER:

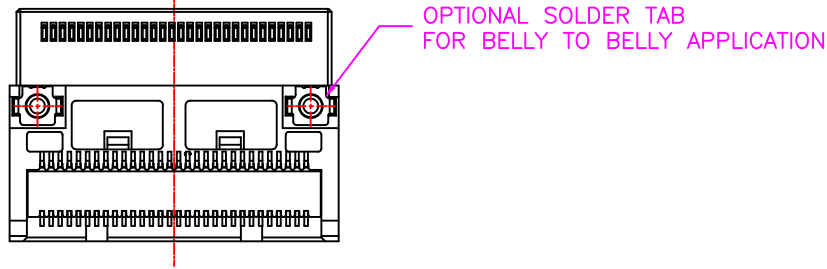
FPCBB - 6 0 * T - 1 * 1 *

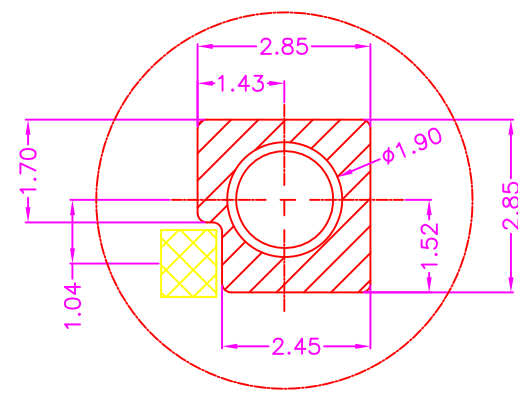
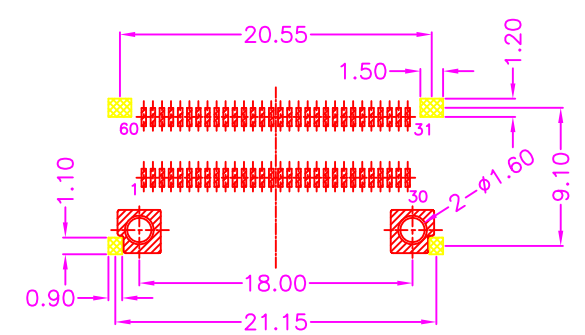
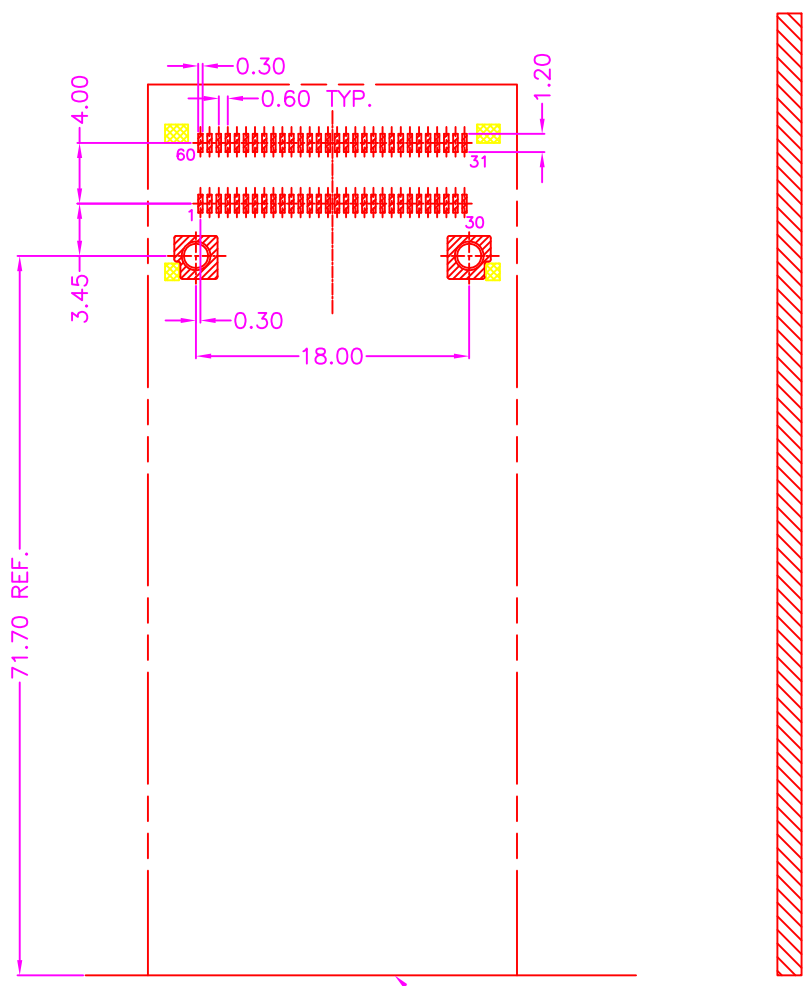
SERIES ————
 NO. OF POS. ————
 CONTACT PLATED OPTION ————
 1: GOLD FLASH
 3: 3u" GOLD
 5: 5u" GOLD
 6: 10u" GOLD
 7: 15u" GOLD
 9: 30u" GOLD

SOLDER TAB OPTION
 BLANK: WITHOUT
 T: WITH

PACKAGE OPTION
 2: TAPE REEL
 3: TUBE

TIN PLATING ON SOLDER TAIL





☒:PROHIBITION AREA

MOTHERBOARD FOOTPRINT RECOMMENDATION

P.C.B LAYOUT
TOP VIEW ±0.05

EDGE OF HOST PCB



TOLERANCES	
X.±0.40	.XX±0.20
.X±0.30	.XXX±0.10

REV.	A	DRAWN BY	Zhong 2018/1/30	TITLE	OSFP CONN., PCB MOUNT, SMT, WITH POST				
		APPROVED BY	Lion 2018/1/30	DRAW NO.	FPCBB-001	UNIT	MM	Sheet	2/2